

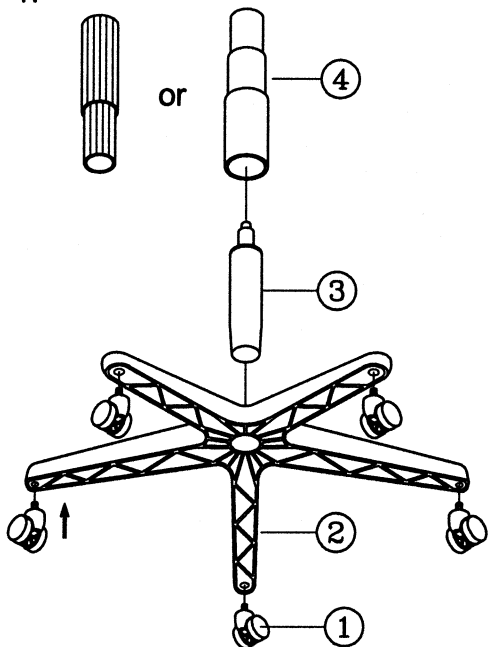
ASSEMBLY INSTRUCTION

Remove all items from the carton . Verify all pieces before assembly.

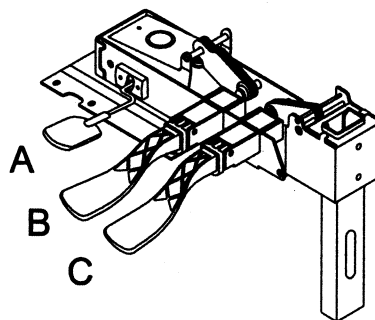
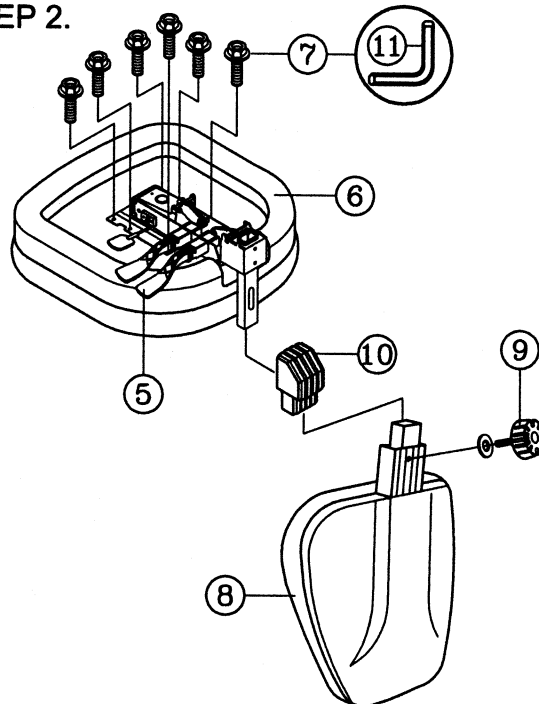
PART LIST

KEY	QTY	DESCRIPTION	KEY	QTY	DESCRIPTION	KEY	QTY	DESCRIPTION
1	5	Caster	5	1	Mechanism	9	1	Backrest Height Adj. Knob + Washer
2	1	Base	6	1	Seat	10	1	Mechanism Plastic Bellow
3	1	Seat Post	7	6	Mechanism Screw	11	1	Allen Wrench
4	1	Seat Post Cover	8	1	Backrest			

STEP 1.



STEP 2.



MECHANISM INSTRUCTIONS:

- A** Pneumatic seat height adjustment
- B** **Seat angle adjustment :**
Seat angle adjusts independently with a single lever.
- C** **Backrest angle adjustment :**
Back angle adjusts independently with a single lever.

PREVENTIVE MAINTENANCE AND WARNING!

- USE THIS PRODUCT ONLY FOR SEATING ONE PERSON AT A TIME.
- DO NOT USE THIS CHAIR AS A STEP STOOL / LADDER.
- DO NOT SIT ON ANY PART OF THE CHAIR EXCEPT THE SEAT.
- DO NOT USE CHAIR ON UNEVEN FLOOR SURFACES.
- DO NOT USE CHAIR UNLESS ALL BOLTS, SCREWS AND KNOBS ARE TIGHTENED.
- EVERY SIX MONTHS, PLEASE MAKE SURE ALL BOLTS, SCREWS AND KNOBS ARE FULLY TIGHTENED TO ENSURE STABILITY.
- IF ANY PARTS ARE MISSING, BROKEN, DAMAGED OR WORN, STOP USE OF THE PRODUCT UNTIL REPAIRS ARE MADE USING FACTORY AUTHORIZED PARTS.
- DISPOSE OF PACKAGING PROPERLY. PLASTIC BAG IS NOT A TOY. DO NOT USE PLASTIC BAG AS HEAD COVERING - IT MAY CAUSE SUFFOCATION.
- FAILURE TO FOLLOW THESE WARNINGS COULD RESULT IN SERIOUS INJURY.
- NOTE: SOME SCREWS MAY BE PREASSEMBLED. IF PREASSEMBLED, IGNORE ASSEMBLY INSTRUCTIONS.

MIDDY 3 / ENDEAVOUR 103 / ENDEAOUR 103S