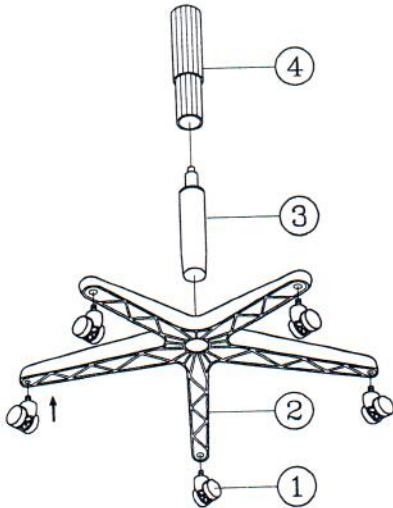


ASSEMBLY INSTRUCTIONS

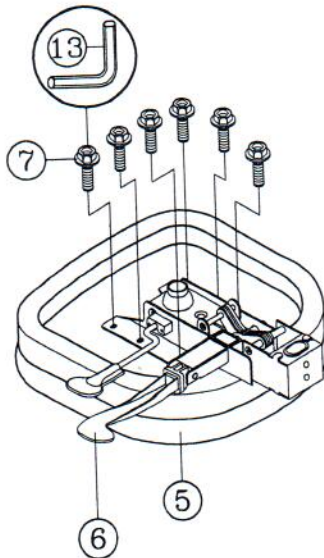
PARTS LIST

KEY	QTY	DESCRIPTION	KEY	QTY	DESCRIPTION
1	5	Caster	6	1	Mechanism
2	1	Base	7	6	Mechanism Screw
3	1	Seat Post	8	1	Backrest Post
4	1	Seat Post Cover	9	1	Backrest
5	1	Seat	10	1	Backrest Height Adj. Knob
			11	1	Back Post Bellow
			12	2	Backrest Bolt + Washer
			13	1	M5 Size Allen Wrench

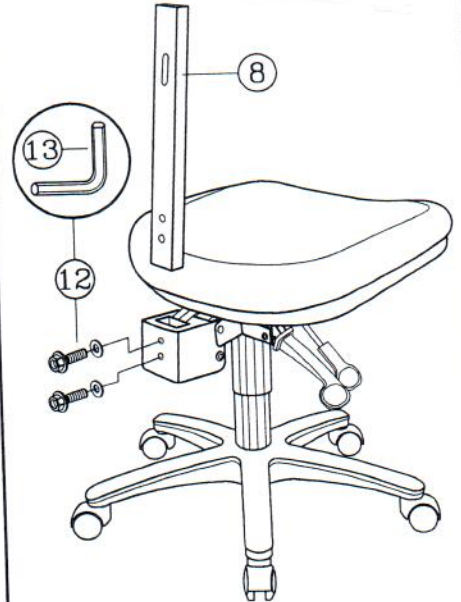
STEP 1.



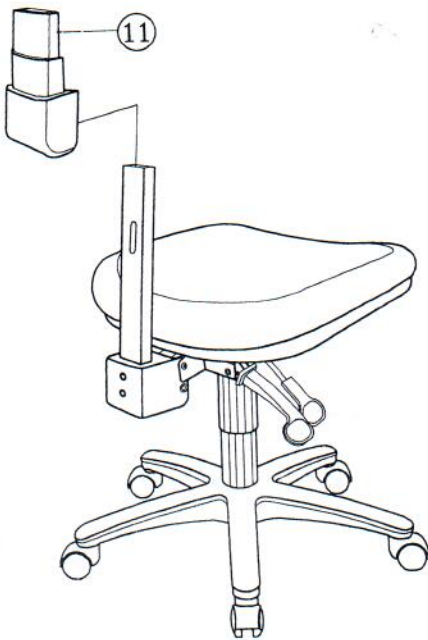
STEP 2.



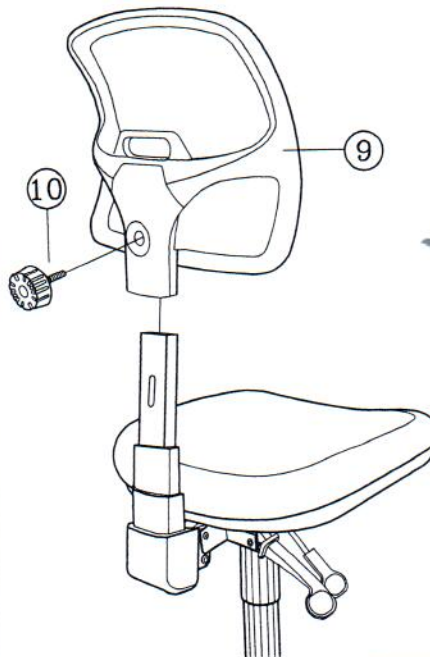
STEP 3.



STEP 4.



STEP 5.



ATTENTION

1. THIS ASSEMBLY INSTRUCTION IS ONLY FOR ASSEMBLING THE CHAIR. THE CHAIR DRAWING MAY BE DIFFERENT FROM CHAIR APPEARANCE.
2. SOME SCREWS MAY PREASSEMBLED, ASSEMBLERS CAN IGNORE THE STEP.
3. REMOVE ALL ITEMS FROM THE CARTON. VERIFY ALL PIECES BEFORE ASSEMBLY.

PREVENTIVE MAINTENANCE AND WARNING!

- IF ANY PARTS ARE MISSING, BROKEN, DAMAGED OR WORN, STOP USE OF THE PRODUCT UNTIL REPAIRS ARE MADE USING FACTORY AUTHORIZED PARTS.
- DISPOSE OF PACKAGING PROPERLY.
- FAILURE TO FOLLOW THESE WARNINGS COULD RESULT IN SERIOUS INJURY.
- EVERY SIX MONTHS, PLEASE MAKE SURE ALL BOLTS, SCREWS AND KNOBS ARE FULLY TIGHTENED TO ENSURE STABILITY.

COSMO